

8 Ch. , BNC Termination Box, Model 750

Main Characteristics

- 8 differential channels
- Polycarbonate IP66/67 Box (NEMA 1, 4, 4X,6)
- Compatible with all 2 wires sensor
- Isolated BNC output
- Spring cage terminal input
- PCB grounding plate connected to din rail

Description

The VibraSens BNC termination box collect data for permanently installed vibration sensors. Pigtails (signal, common and shield) sensor cables are attached to spring cage terminal block. Data collection equipment with the sensor excitation power are mounted to BNC jack connectors. BNC interface unit do not supply sensor excitation. Vibrasens offer a large choice of enclosure (polycarbonate, polyester, AISI 316L stainless steel, ..) to be sure it will perfectly fit your application.

Typical applications

BNC termination box is installed in a convenient centralized location away from noisy or unsafe environment where portable collector can record the sensor reading. Simply connect a data collector with sensor excitation power to the BNC jack of the sensor channel of interest to access that sensor’s measurement signal

Box introduction

See model 751 for help.

Ordering information

To order, specify model number :

750.01 - AA - BB (Suffix) - C 8 CH., BNC termination box

AA : Channels

08 : 8 Channels

BB : Box

02 : Polycarbonate enclosure

Suffix : LH = Left Hinge, TH = Top Hinge, RH = Right Hinge

32 : Polyester

42 : Polyester, Atex approved

62 : Stainless steel (AISI316L)

99 : To be defined by customer

C : Stuffing glands

0 : Not installed

1 : installed (indicate diameter and number of cables)

Special engraving

Add Zxx at the end of the part number.

XX is a number supplied by VibraSens.

Popular model (in stock) : 750.01-08-02(LH)-1

Ordering example

750.01 - 08 - 02 (LH) - 1 8 CH., BNC termination box,
6 cables dia 5.5 mm

SPECIFICATIONS

BNC Module

See datasheet for model 301

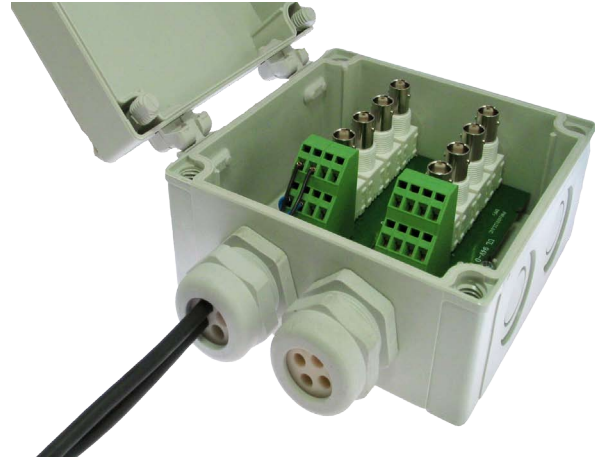
Physical

Weight gr (oz)

BB=02 TBD

Environmental

Temperature :



Model 750.01-08-02(LH)-1

Operating continuous -40 to +85 °C

Enclosure BB=02

Dimensions & Weight

LxWxH mm (inch) 130x130x75 (5.1x5.1x2.95) see fig 1

Weight gr (Oz) TBD (TBD)

Materials

Material Polycarbonate

Base and cover color RAL 7035

Cover screw (color) Polyamide (Grey)

Gasket material TPE Polyurethane

Environmental

Temperature :

Operating continous -40 to +80 °C (-40 to 175 °F)

Short term -40 to +120°C (-40 to 250 °F)

Chemical resistance ... Good resistance to sea water, acids, solvents, gasolines and oil

Outdoor use Yes

Ratings

Ingress Protection (EN 60529) IP 66/67

Nema Class 1, 4, 4X, 6 (12 & 13)

Impact Resistance (EN 50102) IK 08

Electrical insultaion fully insulated

Halogen free (DIN/VDE 0472, part 815) Yes

UV resistance UL 508

Flammability rating (UL 746 C 5) UL 94 5V

Glow wire test (IEC 695-2-1) 960°C

Certificates

Germanischer Lloyd (GL), Underwriters Laboratories, Det Norske Veritas, Fimko,

Europe EN 50298 1998 / EN 60950, Gost R

Accessories, spare parts

Screw for cover 711.96

Hinge (2 pieces & Screws) 711.91

Mounting foot kit without opening the enclosure 711.94

Drawings

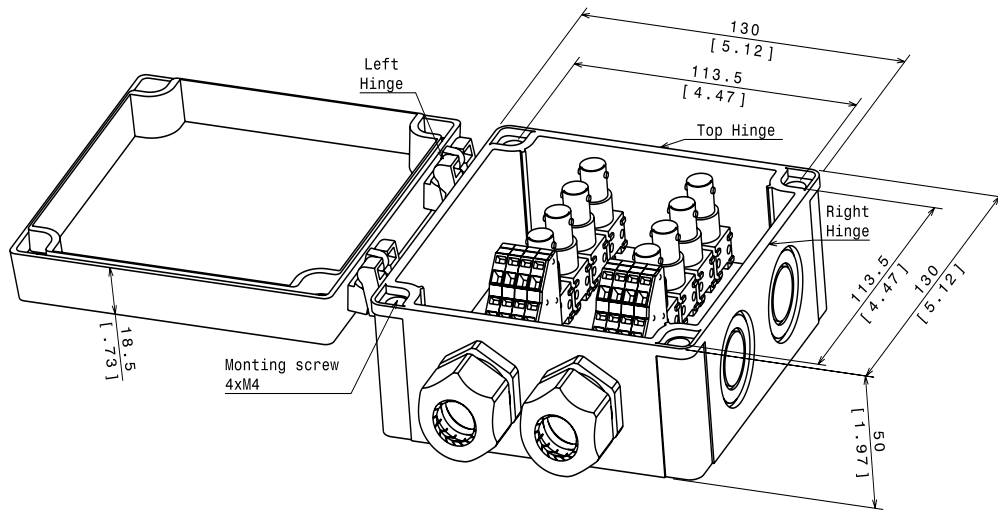


Fig 1 : Outline drawing, model 750.01-08-02(LH)-1