

## 22/24 Ch., Switch/BNC Termination Box, Model 748

### Main Characteristics

- 8 differential channels
- Polycarbonate IP66/67 Box (NEMA 1, 4, 4X,6)
- Compatible with all 2 wires sensor
- Isolated BNC output
- Spring cage terminal block input
- PCB grounding plate connected to din rail

### Description

The VibraSens BNC termination box collect data for permanently installed vibration sensors. Pigtails (signal, common and shield) sensor cables are attached to spring cage terminal block. Data collection equipment with the sensor excitation power are mounted to BNC jack connectors. BNC interface unit do not supply sensor excitation. Vibrasens offer a large choice of enclosure (polycarbonate, polyester, AISI 316L stainless steel, ..) to be sure it will perfectly fit your application.

### Typical applications

BNC termination box is installed in a convenient centralized location away from noisy or unsafe environment where portable collector can record the sensor reading. Simply connect a data collector with sensor excitation power to the BNC jack of the sensor channel of interest to access that sensor's measurement signal

### Box introduction

See model 751 for help.

### Ordering information

To order, specify model number :

**748.01 - AA - BB (Suffix) - C** AA CH., BNC termination box

#### AA : Channels

- 22 : 22 Channels (Switch)
- 23 : 23 Channels (12 BNC + 11 Switch)
- 24 : 24 Channels (BNC)

#### BB : Box

- 02 : Polycarbonate enclosure
- Suffix : LH = Left Hinge, TH = Top Hinge, RH = Right Hinge
- 32 : Polyester
- 42 : Polyester, Atex approved
- 62 : Stainless steel (AISI316L)
- 99 : To be defined by customer

#### C : Stuffing glands

- 0 : Not installed
- 1 : installed (indicate diameter and number of cables)

### Special engraving

Add Zxx at the end of the part number.

XX is a number supplied by VibraSens.

### Popular model (in stock) :

748.01-22-02(LH)-1 / 748.01-23-02(LH)-1 / 748.01-24-02(LH)-1

### Ordering example

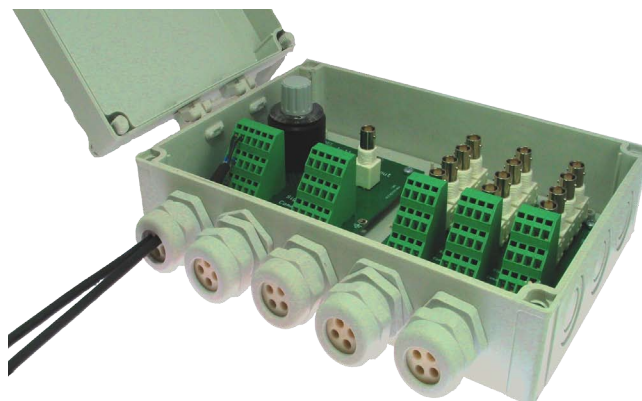
**748.01 - 24 - 02 (LH) - 1** 24 CH., BNC termination box, 18 cables dia 5.8 mm

## SPECIFICATIONS

### BNC Module

See datasheet for model ..... 300

### Physical



Model 749.01-23-02(LH)-1

Weight gr (oz)  
BB=02 ..... TBD

### Environmental

Temperature :  
Operating continuous ..... -40 to +85 °C

### Enclosure BB=02

#### Dimensions & Weight

LxWxH mm (inch).....255x180x75 (10x6.9x2.95) see fig 1  
Weight gr (Oz) ..... TBD (TBD)

#### Materials

Material ..... Polycarbonate  
Base and cover color ..... RAL 7035  
Cover screw (color)..... Polyamide (Grey)  
Gasket material ..... TPE Polyurethane

### Environmental

Temperature :  
Operating continous ..... -40 to +80 °C (-40 to 175 °F)  
Short term ..... -40 to +120°C ( -40 to 250 °F)  
Chemical resistance ... Good resistance to sea water, acids, solvents, gasolines and oil  
Outdoor use ..... Yes

### Ratings

Ingress Protection (EN 60529).....IP 66/67  
Nema Class ..... 1, 4, 4X, 6 (12 & 13)  
Impact Resistance (EN 50102) ..... IK 08  
Electrical insulaion ..... fully insulated  
Halogen free (DIN/VDE 0472, part 815) ..... Yes  
UV resistance ..... UL 508  
Flammability rating (UL 746 C 5) ..... UL 94 5V  
Glow wire test (IEC 695-2-1) ..... 960°C

### Certificates

Germanischer Lloyd (GL), Underwriters Laboratories, Det Norske Veritas, Fimko,  
Europe EN 50298 1998 / EN 60950, Gost R

### Accessories, spare parts

Screw for cover ..... 711.96  
Hinge (2 pieces & Screws) ..... 711.91  
Mounting foot kit without opening the enclosure ..... 711.94

Drawings

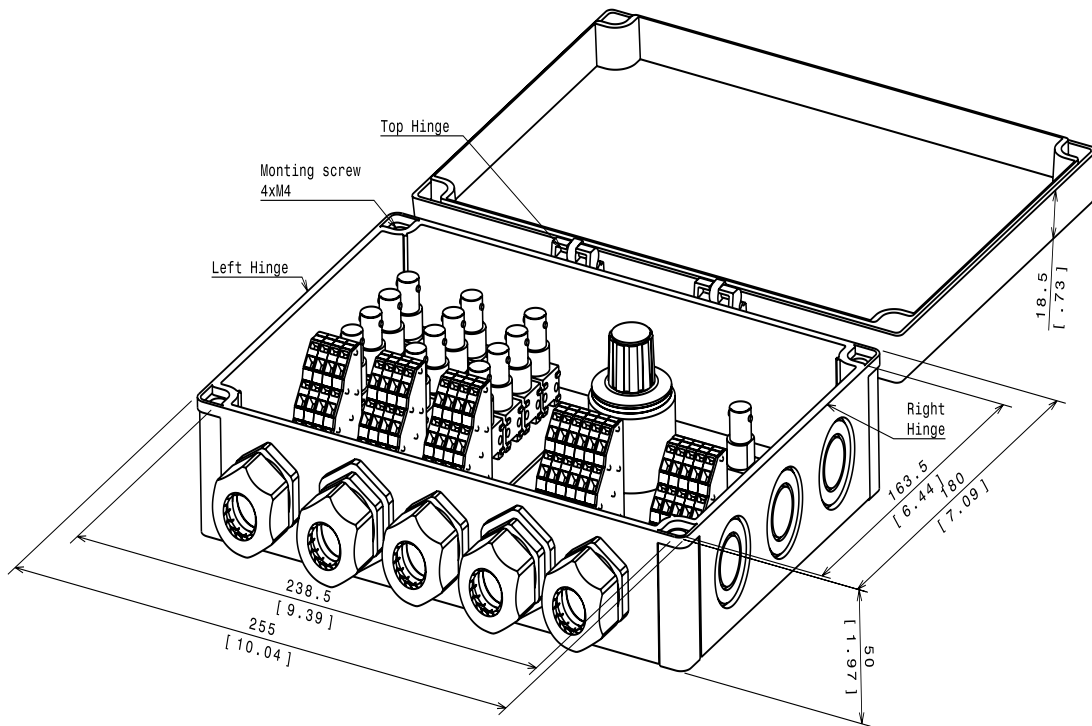


Fig 1 : Outline drawing, model 749.01-23-02(TH)-1